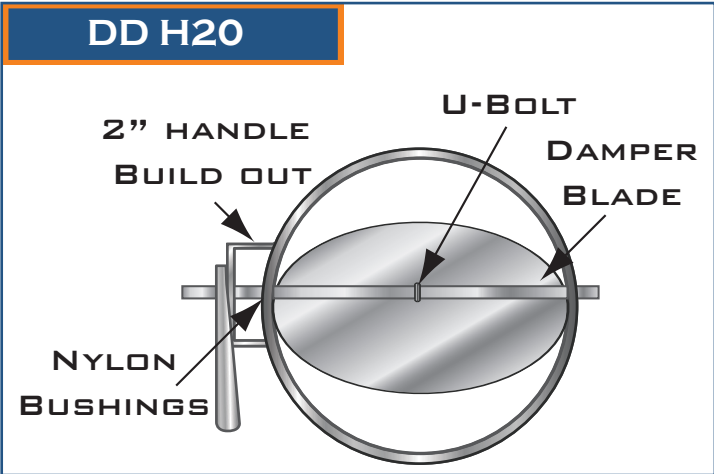


**CONICAL TAP  
1" FLANGE OUT**

**CONICAL TAP W/ DAMPER  
1" FLANGE OUT**

SIZE	DIAMETER	CONICAL DIAMETER
4"	3-7/8	5-7/8
5"	4-7/8	6-7/8
6"	5-7/8	7-7/8
7"	6-7/8	8-7/8
8"	7-7/8	9-7/8
9"	8-7/8	10-7/8
10"	9-7/8	11-7/8
12"	11-7/8	13-7/8
14"	13-7/8	15-7/8
15"	14-7/8	16-7/8
16"	15-7/8	17-7/8
18"	17-7/8	19-7/8
20"	19-7/8	21-7/8



**DAMPER BLADE OPTIONAL**

**STANDARD**

- 26 GAUGE GALVANIZED
- 26 GAUGE DAMPER BLADE
- 3/8" SQUARE SHAFT
- NYLON BUSHINGS
- 2" STAND OUT BRACKET

**CUSTOM OPTIONS**

- 24, 22, & 20 GAUGE GALVANIZED
- STAINLESS STEEL
- ALUMINUM
- PAINT GRIP