

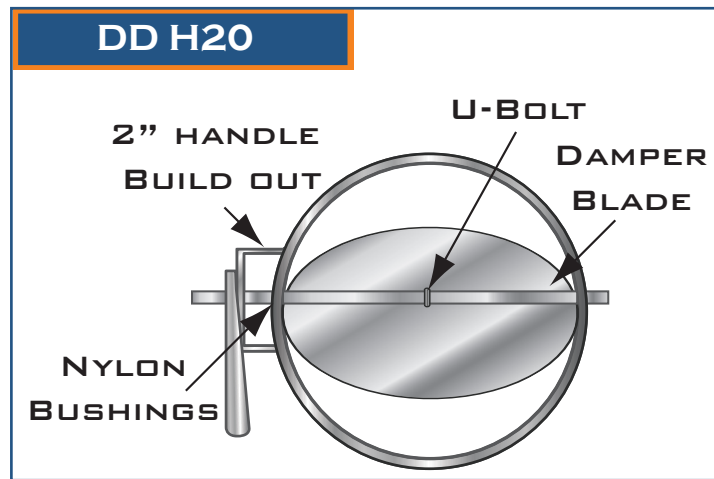
STANDARD

- 24 GAUGE GALVANIZED
- 26 GAUGE DAMPER BLADE
- 3/8" SQUARE SHAFT
- NYLON BUSHINGS

CUSTOM OPTIONS

- UP TO 16 GAUGE GALVANIZED
- STAINLESS STEEL
- ALUMINUM
- PAINT GRIP

2" STAND OUT INSULATION BRACKET



DAMPER BLADE OPTIONAL

SIZE	D = DIAMETER	L = LENGTH
4" - 20"	SIZE LESS 1/8"	7 1/2"