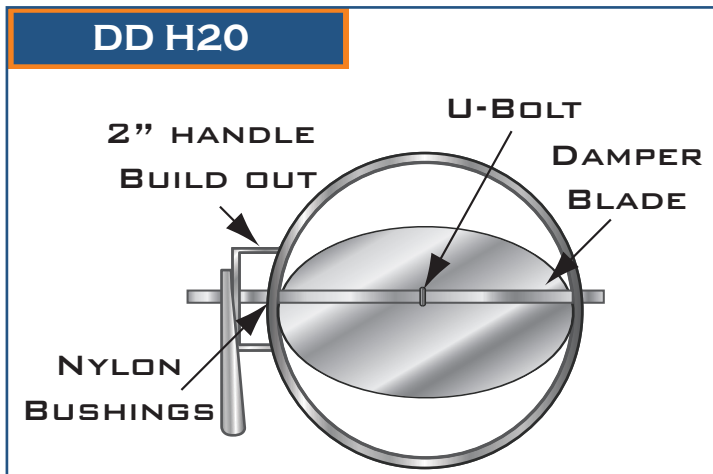


SIZE	A	B	C	D	E	F	G	H
5"	4-7/8	13	5-1/2	7-1/2	5	9	11	7
6"	5-7/8	13	5-1/2	7-1/2	5	9	11	7
7"	6-7/8	13	5-1/2	7-1/2	5	11	13	7
8"	7-7/8	13	5-1/2	7-1/2	6	12	14	8
9"	8-7/8	13	5-1/2	7-1/2	7	13	15	9
10"	9-7/8	13	5-1/2	7-1/2	8	14	16	10
12"	11-7/8	13	5-1/2	7-1/2	10	16	18	12
14"	13-7/8	13	5-1/2	7-1/2	12	18	20	14
15"	14-7/8	13	5-1/2	7-1/2	13	19	21	15
16"	15-7/8	13	5-1/2	7-1/2	14	20	22	16
18"	17-7/8	13	5-1/2	7-1/2	16	22	24	18
20"	19-7/8	13	5-1/2	7-1/2	18	24	26	20

DD H20



DAMPER BLADE OPTIONAL

STANDARD

- 26 GAUGE GALVANIZED DAMPER BLADE
- 24 GAUGE GALVANIZED BODY
- 1" MOUNTING FLANGE
- PRE-PUNCHED MOUNTING HOLES
- 4" W.G. PRESSURE CLASS
- 3/8" SQUARE SHAFT
- 2" INSULATION STAND OUT BRACKET

CUSTOM OPTIONS

- UP TO 16 GAUGE GALVANIZED
- STAINLESS STEEL
- ALUMINUM
- PAINT GRIP