

# DOUBLE WALL RECTANGULAR

Double Wall Rectangular Ductwork pressure class is the same as Single Wall Rectangular Ductwork. The inner ductwork can be solid or perforated; the gauge of the metal shall be determined by each specified job.

DUCT DIMENSIONS	GA.	JOINT	TRANSVERSE JOINT TYPE	TRANSVERSE JOINT REINFORCEMENT	INTERMEDIATE REINFORCEMENT	WATER GAUGE
<b>1" WATER GAUGE</b>						
0" - 16"	26	5'	Flat "S" and Drive	Not required	Not required	1"
17" - 28"	26	5'	S & Drive (TDC if drive side above 20")	1"X 22 gauge standing S	Not required	1"
29" - 30"	26	5'	TDC	Not required	Not required	1"
31" - 42"	24	5'	TDC	Not required	Not required	1"
43" - 54"	22	5'	TDC	Not required	Not required	1"
55" - 72"	22	5'	TDC	Not required	Mid-panel Conduit	1"
73" - 84"	20	5'	TDC	Conduit	Mid-panel Conduit	1"
85" - 96"	20	5'	TDC	Conduit	(2) Mid-panel Conduits	1"
97" - 108"	18	5'	TDC	Conduit	2x3/16 Angle and MP Conduit	1"
109" - 120"	18	5'	TDC	Conduit	2x3/16 Angle and MP Conduit	1"

<b>2" WATER GAUGE</b>						
0" - 12"	26	5'	Flat "S" and Drive	Not required	Not required	2"
13" - 20"	26	5'	S & Drive (TDC if drive side above 20")	1"X 24 gauge standing S	Not required	2"
21" - 26"	26	5'	TDC	Not required	Not required	2"
27" - 30"	24	5'	TDC	Not required	Not required	2"
31" - 42"	24	5'	TDC	Not required	Mid-panel Conduit	2"
43" - 54"	22	5'	TDC	Not required	Mid-panel Conduit	2"
55" - 60"	22	5'	TDC	Conduit	Mid-panel Conduit	2"
61" - 72"	20	5'	TDC	Conduit	Mid-panel Conduit	2"
73" - 96"	20	5'	TDC	Conduit	(2) Mid-panel Conduits	2"
97" - 120"	18	5'	TDC	Conduit	Mid-panel Conduit + 2x2 angle	2"

# DOUBLE WALL RECTANGULAR

DUCT DIMENSIONS	GA.	JOINT	TRANSVERSE JOINT TYPE	TRANSVERSE JOINT REINFORCEMENT	INTERMEDIATE REINFORCEMENT	WATER GAUGE
<b>3" WATER GAUGE</b>						
0" - 12"	26	5'	Flat "S" and Drive	Not required	Not required	3"
13" - 18"	24	5'	S & Drive (TDC if drive side above 20")	1"X 24 gauge standing S	Not required	3"
19" - 22"	24	5'	S & Drive (TDC if drive side above 20")	1"X 22 gauge standing S	Not required	3"
23" - 26"	24	5'	TDC	Not required	Not required	3"
27" - 30"	22	5'	TDC	Not required	Not required	3"
31" - 42"	22	5'	TDC	Not required	Mid-panel Conduit	3"
43" - 54"	22	5'	TDC	Conduit	Mid-panel Conduit	3"
55" - 60"	20	5'	TDC	Conduit	Mid-panel Conduit	3"
61" - 84"	20	5'	TDC	Conduit	(2) Mid-panel Conduits	3"
85" - 96"	18	5'	TDC	Conduit	(2) Mid-panel Conduits	3"
97" - 120"	18	5'	TDC	Conduit	2 1/2 x 1/4 Angle + MPC	3"

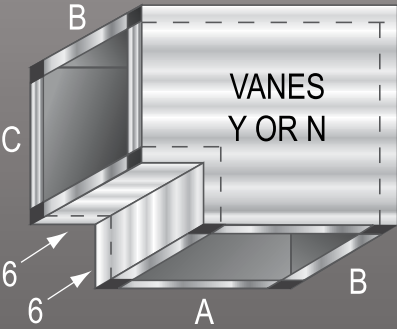
<b>4" WATER GAUGE</b>						
0" - 12"	26	5'	TDC	Not required	Not required	4"
13" - 22"	24	5'	TDC	Not required	Not required	4"
23" - 30"	24	5'	TDC	Not required	Mid-panel Conduit	4"
31" - 36"	22	5'	TDC	Not required	Mid-panel Conduit	4"
37" - 42"	22	5'	TDC	Conduit	Mid-panel Conduit	4"
43" - 60"	20	5'	TDC	Conduit	Mid-panel Conduit	4"
61" - 72"	20	5'	TDC	Conduit	(2) Mid-panel Conduits	4"
73" - 96"	18	5'	TDC	Conduit	(2) Mid-panel Conduits	4"
97" - 120"	18	5'	TDC	Conduit	2 1/2 x 1/4 Angle + MPT	4"

# DOUBLE WALL RECTANGULAR

DUCT DIMENSIONS	GA.	JOINT	TRANSVERSE JOINT TYPE	TRANSVERSE JOINT REINFORCEMENT	INTERMEDIATE REINFORCEMENT	WATER GAUGE
<b>6" WATER GAUGE</b>						
0" - 8"	26	5'	TDC	Not required	Not required	6"
9" - 12"	24	5'	TDC	Not required	Not required	6"
13" - 24"	22	5'	TDC	Not required	Not required	6"
25" - 30"	22	5'	TDC	Not required	Mid-panel Conduit	6"
31" - 36"	20	5'	TDC	Not required	Mid-panel Conduit	6"
37" - 60"	20	5'	TDC	Conduit	Mid-panel Conduit	6"
61" - 72"	18	5'	TDC	Conduit	Mid-panel Conduit	6"
73" - 84"	18	5'	TDC	Conduit	(2) Mid-panel Conduits	6"
85" - 96"	18	4'	TDC	Conduit	(2) Mid-panel Conduits	6"
97" - 120"	18	2'	TDC	Conduit	N/A	6"

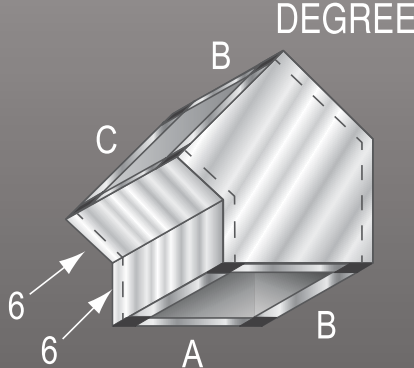
# ELBOWS

**SQUARE 90° DEGREE ELBOW**



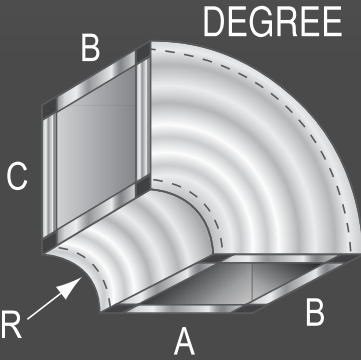
F1-DW

**ANGLE ELBOW**



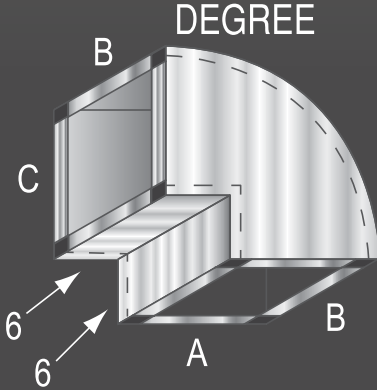
F3-DW

**RADIUS ELBOW**



F4-DW

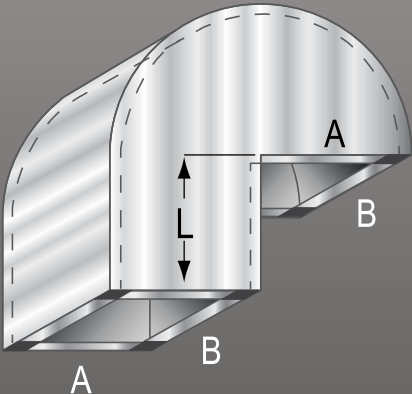
**SQ. THROAT RAD. HEEL ELBOW**



F2-DW

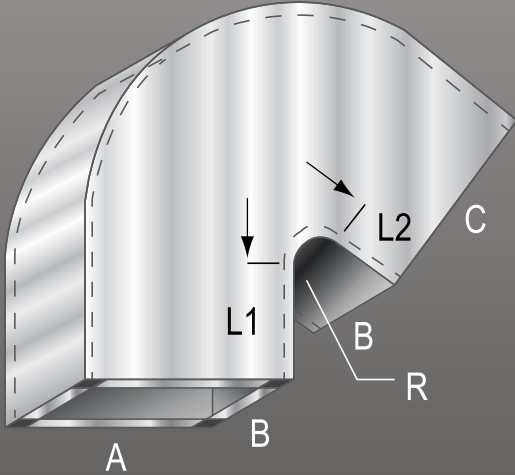
# ELBOWS

180° GOOSENECK



F25-DW

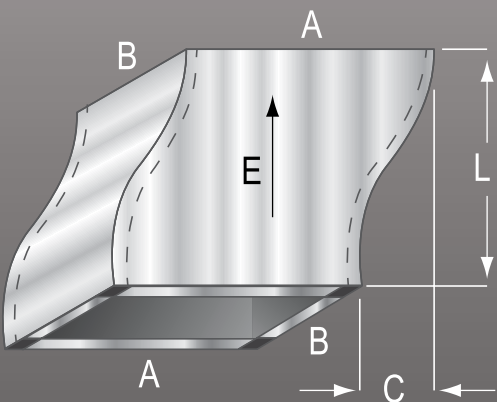
INCREASE AREA RAD. GOOSENECK



F31-DW

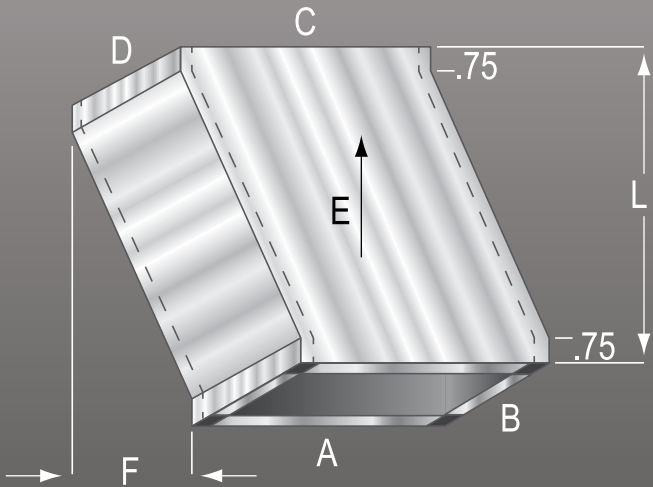
# TRANSITION & OFFSETS

L TO R O.G. OFFSET



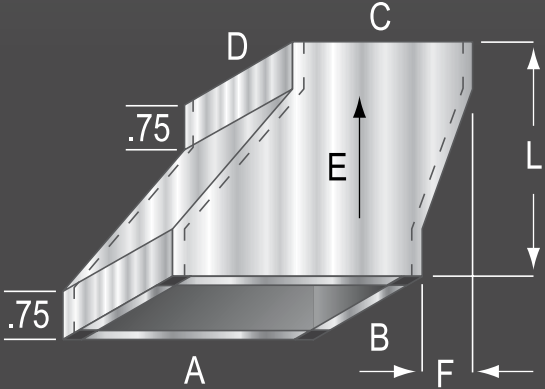
F7-DW

R TO L DOG LEG OFFSET



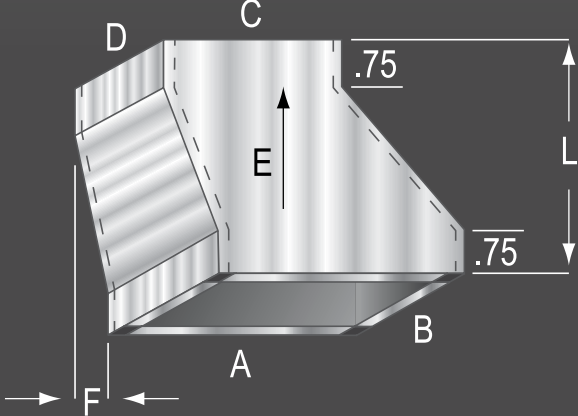
F13-DW

TRANS. L TO R DOG LEG OFFSET



F14-DW

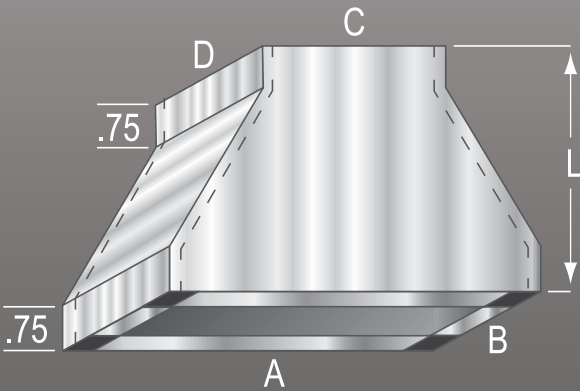
TRANS. R TO L DOG LEG OFFSET



F13TR-DW

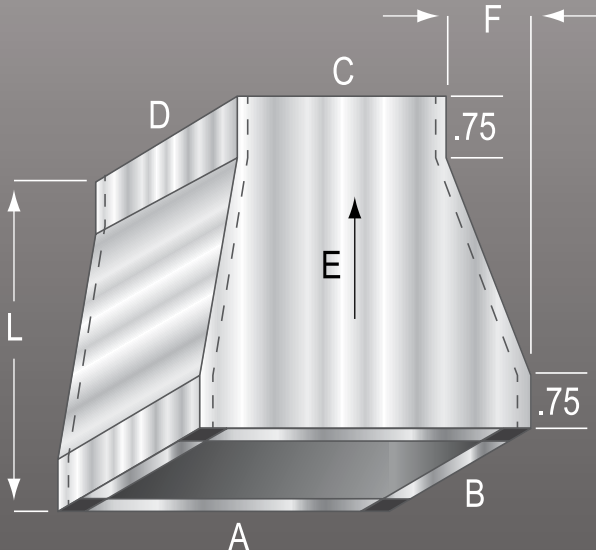
# TRANSITION & OFFSETS

CENTERLINE TRANSITION



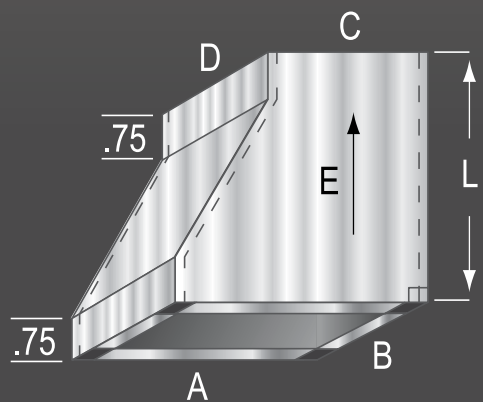
F12-DW

TRANSITION OFFSET



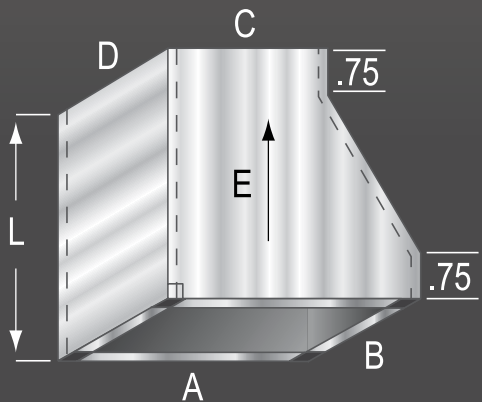
F18-DW

STRAIGHT RIGHT TRANSITION



F10-DW

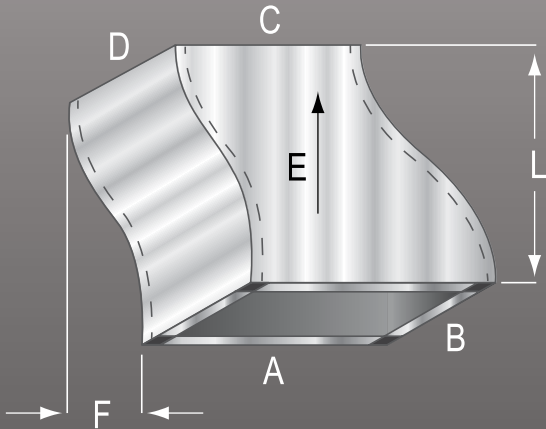
STRAIGHT LEFT TRANSITION



F11-DW

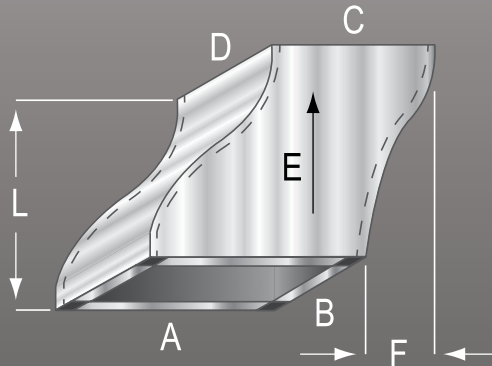
# TRANSITION & OFFSETS

DW TRANS. L TO L OG OFFSET



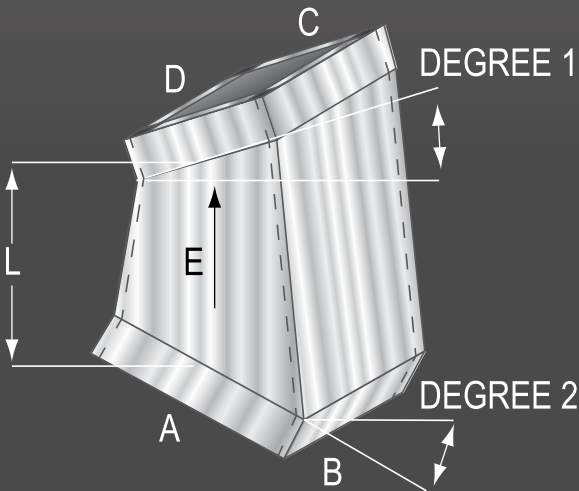
F8-DW

DW TRANS. L TO R OG OFFSET



F7-DW

MITERED TRANSITION

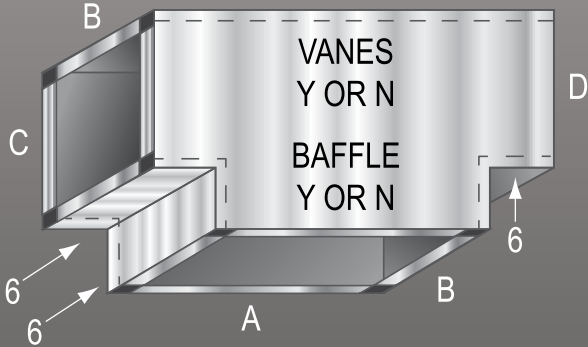


F48-DW



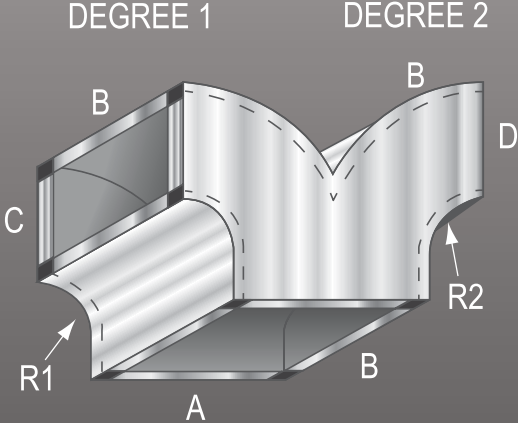
# MISCELLANEOUS

SQUARE TEE



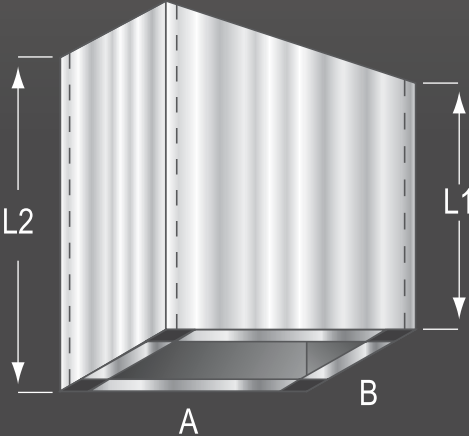
F5

RADIUS TEE



F22

MITERED DUCT



F34