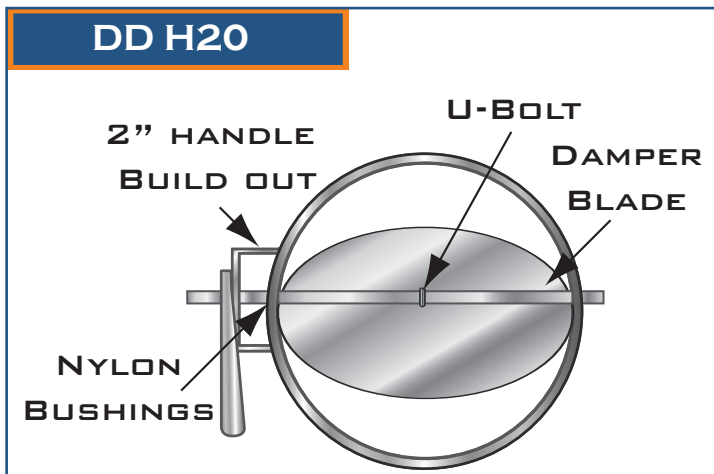


QUANTITY	TYPE	CONICAL DIAMETER	HOLE DIAMETER
	DD-CH20	6φ	8
	DD-CH20	7φ	9
	DD-CH20	10φ	12
	DD-CH20	12φ	14
	DD-CH20	14φ	16
	DD-CH20	16φ	18
	DD-CH20	18φ	20
	DD-CH20	20φ	22



DAMPER BLADE OPTIONAL

STANDARD

- 26 GAUGE GALVANIZED DAMPER BLADE
- 24 GAUGE GALVANIZED BODY
- 1" MOUNTING FLANGE
- RIVET, SPOT WELD, OR STAMP LOCKS
- I.S. BEAD FOR FLEX CONNECTION
- 3/8" SQUARE SHAFT
- NYLON BUSHINGS
- 2" INSULATION STAND OUT BRACKET

CUSTOM OPTIONS

- UP TO 16 GAUGE GALVANIZED
- STAINLESS STEEL
- ALUMINUM
- PAINT GRIP

